



**4000-6000 lbs**  
**LPG CUSHION TIRE**  
**FORKLIFT**

**HELI**  
LIFTING THE FUTURE

Top 10 Forklift  
Manufacturer In The World





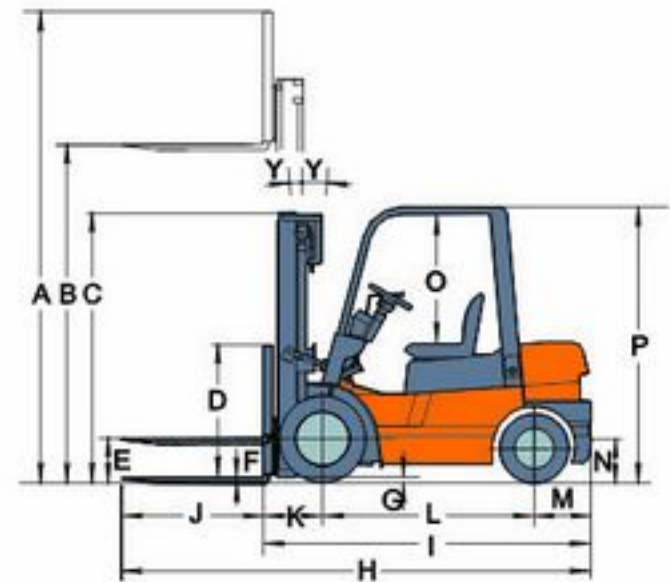
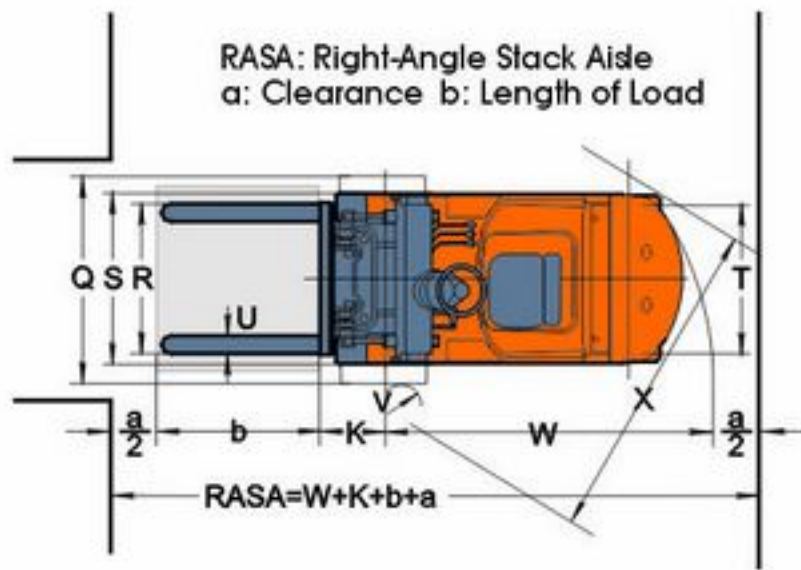
LPG CUSHION TIRE  
FORKLIFT

**4000-6000** lbs



**SPECIFICATIONS**

Manufacturer	<b>ANHUI HEUI CO., LTD.</b>				
Model			CPYD20C	CPYD25C	CPYD30C
Load Capacity		lbs	4,000	5,000	6,000
Load Center		in	24	24	24
Lifting Speed (With/Without load)		fpm	102/108	102/108	102/108
Max. Travel Speed		mph	11.2	11.2	9.9
Overall Height Forks Raised	<b>A</b>	in	225.5	225.5	234.6
Max. Fork Height	<b>B</b>	in	185	185	185
Overall Height Upright Lowered	<b>C</b>	in	83.6	83.6	85.4
Free Lift	<b>E</b>	in	42.7	42.7	35.4
Overall Length (With Forks)	<b>H</b>	in	124.8	131.9	138.5
Overall Length (Without Forks)	<b>I</b>	in	88.6	89.8	96.5
Min. Ground Clearance	<b>G</b>	in	3.2	3.2	3.2
Overhang (Front/Rear)	<b>K/M</b>	in	16/18.1	16/19.3	18.7/21.3
Wheel Base	<b>L</b>	in	55	55	59
Overall Height (With Overhead Guard)	<b>P</b>	in	83.5	83.5	82.3
Overall Width	<b>Q</b>	in	43	43	45.3
Opening Of Forks	<b>R</b>	in	9.6-40.2	9.6-40.2	9.8-41.7
Tread (Front/Rear)	<b>S/T</b>	in	35.5/35.4	35.5/35.4	37.1/38.2
Min. Intersecting Aisle	<b>X</b>	in	78.2	80.1	81.7
Min. Turning Radius (Outside)	<b>W</b>	in	75.6	79.1	83.1
Fork Size	<b>J/U/F</b>	in	42/4.8/1.57		42/4.92/1.77
Max. Drawbar Pull (Without/With Load)		lbs	4,269/1,874		
Tilt Angle (F/B)	<b>Y</b>	deg	5° -10°		
Max. Gradeability (With Load)		%	≥20		
Engine Model			GM 3.0 (LPG)		
Compression Ratio			8.2:1		
Rated Horsepower		hp/rpm	61.5/2,800		
Rated Torque		lbft/rpm	141/1,400-1,600		
Battery Voltage /Capacity		V/Ah	12/80		
Tire Type			<b>CUSHION</b>		
Total Weight		lbs	7,600	8,700	9,800



**2-stage standard mast (KW) & 2-stage full free mast(KZM)**

Mast model	Max. fork height mm(in)	Capacity at 24in;Load center(Lbs)			Overall Lowered Height (inch)			Tilting Angle
		CPYD20C	CPYD25C	CPYD30C	4000-5000lb (KM)in	6000lb (KM)(KZM) in	4000-5000lb (KZM)in	Fwd/Bwd deg
KM204	2040(80)	4000	5000	6000	60	60	60	5° /10°
KM250/KZM250	2500(98)	4000	5000	6000	73.6	71.3	72.4	5° /10°
KM270/KZM270	2700(106)	4000	5000	6000	77.6	75.2	76.4	5° /10°
KM300/KZM300	3000(118)	4000	5000	6000	83.5	81.3	82.3	5° /10°
KM330/KZM330	3300(130)	4000	5000	6000	89.4	87.0	88.2	5° /10°
KM350/KZM350	3500(137)	4000	5000	6000	93.3	90.9	92.1	5° /10°
KM370/KZM370	3700(145)	4000	5000	6000	97.2	94.9	96.1	5° /10°
KM400/KZM400	4000(157)	4000	5000	6000	105.1	102.8	103.9	5° /10°
KM450/KZM450	4500(177)	3800	4800	5800	115.0	112.6	113.8	5° /10°
KM475/KZM475	4750(187)	3600	4600	5600	119.9	117.5	118.7	5° /10°
KM550/KZM550	5000(196)	3600	4600	5600	124.8	122.4	123.6	5° /10°
KM600/KZM600	5500(217)	3400	4400	5300	134.6	134.3	135.4	5° /10°
KM204/KZM204	6000(236)	3200	4200	5000	144.5	144.1	145.3	5° /10°

**3-stage full free mast (KZSM)**

Mast model	Max. fork height mm(in)	Capacity at 24in;Load center(Lbs)			Overall Lowered Height (inch)				Tilting Angle
		CPYD20C	CPYD25C	CPYD30C	4000-5000lb (KZSM)in	6000lb (KZSM) in	4000-5000lb (KZSM)in	4000-5000lb (KZSM)in	Fwd/Bwd deg
KZSM360	3600(142)	3900	4900	5900	-	73.6	24.5	24.5	3° /6°
KZSM400	4000(157)	3800	4800	5700	-	78.5	27.0	27.0	3° /6°
KZSM435	4350(171)	3700	4700	5700	-	83.5	29.4	29.4	3° /6°
KZSM450	4500(177)	3700	4700	5600	81.1	85.4	30.4	30.4	3° /6°
KZSM470	4700(185)	3500	4500	5400	83.7	85.4	31.7	31.7	3° /6°
KZSM480	4800(189)	3500	4300	5200	85.0	89.4	32.4	32.4	3° /6°
KZSM500	5000(196)	3400	4000	5000	89.0	93.3	34.3	34.3	3° /6°
KZSM540	5400(212)	2800	2300	3800	93.9	98.2	36.9	36.9	1.5° /6°
KZSM600	6000(236)	1800	2000	2200	102.8	107.1	41.2	41.2	1.5° /6°

NOTE: (1)4000-5000lbs free lift height (without backrest):(+17.1in)6000 free lift height (without backrest):(+22.8in)

**5000lbs 4-STAGE FULL FREE MAST(ZFM)**

Mast model	Max. fork height mm(inch)	Capacity at 24 inch load center (lbs)	Overall Lowered Height (inch)	Free Lift (with backrest)	Tilting Angle	Service Weight (lbs)
ZFM610	6100(240)	3000	83	41.14	5° /6°	7500
ZFM650	6560(258)	2400	89	47.24	5° /3°	7580



# HELI

## h2000 SERIES



**4000-6000 lbs**  
**LPG CUSHION TIRE**  
**FORKLIFT**

### STANDARD EQUIPMENT

---

Hour meter	130 inch standard 2-stage mast
Horn	Rear combo lights
Oil pressure alarm	Back- up alarm
Three-spool control valve	Adjustable steering column
Power steering	Hydraulic oil filter
Rubber pedal pads	Coolant overflow tank
Load backrest	Oil gauge
Rear view mirror	Battery-charge indicator
Front combo lights	Wide-view mast
Complete tool kit	High air intake
Transmission oil filter	Tow pin
Spark arresting muffler	Standard semi-suspension seat
Water temperature meter	

### OPTIONS

---

Cab	User-specified color
Amber strobe light	Steel rub rails with fenders
Vertical exhaust	Dual drive tires
Air pre-cleaner	LPG and dual-fuel system
Full suspension seat	2-Stage full free lift mast
Cab heater	3-Stage full free lift mast
Solid pneumatic tire	
Windshield	
Rear work light	
Air conditioning	
Tilt cylinder boot	
Steering cylinder boot	